



DRY PRESSURE GAUGE

4" Chrome Plated Steel Case - Lower Mount

Utility Gauge For Wide Range of Applications

CARBO Instruments Datasheet D40-CSL 03.2018

Product Features & Applications

- ASME B40.1 Grade B Accuracy Compliance
- Chrome Plated Steel Case - Durable
- Large Dial Print
- Reliable and Economical
- Applications: Oil, Water, Air, Compressor, Hydraulics, HVAC, Gaseous & Liquid media that are not highly viscous or crystallizing and not corrosive or oxidizing to copper alloy parts

Specifications

Accuracy

ASME B40.1 Grade B Accuracy \pm 3-2-3 % of span

Dial Size

4" (100 mm)

Connection

1/4" NPT Lower Mount

Scale

Dual Scale: psi / bar with kPa guidance

Case Design

Chrome Plated Steel, Crimped Style Casing

Material

Movement: Copper Alloy
 Bourdon Tube: Copper Alloy
 Connection: Copper Alloy
 Window: Glass Lens
 Casing: Steel Case
 Pointer: Aluminum

Permissible Ambient Temperature:
 -20°F to 140°F (-20°C to 60°C)

Fill: Dry

Manufactured in an **ISO 9001 Certified** factory to meet and exceed your expectation

Options: - Custom Dial Layout - Anti Vibration - see L40 Series
 - Special Connection Size - Adapters & Mounting kit

Range / Scale	Part Number
- 30Hg Vacuum	D40-CSL-V00
- 30Hg / 30psi	D40-CSL-V30
15 psi	D40-CSL-015
30 psi	D40-CSL-030
60 psi	D40-CSL-060
100 psi	D40-CSL-100
160 psi	D40-CSL-160
200 psi	D40-CSL-200
300 psi	D40-CSL-300
400 psi	D40-CSL-400
600 psi	D40-CSL-600
1000 psi	D40-CSL-1.0K
1500 psi	D40-CSL-1.5K
2000 psi	D40-CSL-2.0K
3000 psi	D40-CSL-3.0K
4000 psi	D40-CSL-4.0K
5000 psi	D40-CSL-5.0K
6000 psi	D40-CSL-6.0K
10000 psi	D40-CSL-10K

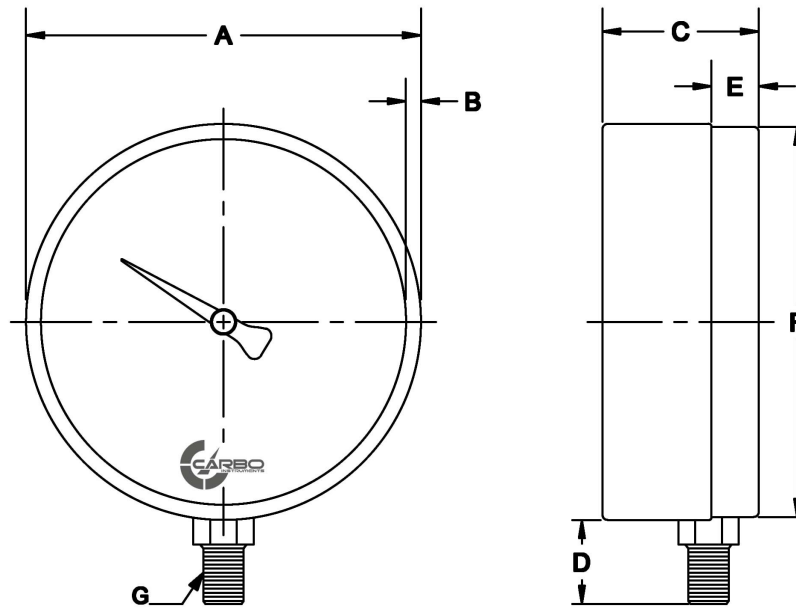
Specifications subject to change without notice at any time, and information provided may vary from the actual Product.

CARBO USA LLC

1541 Prudential Dr
 Dallas, TX 75235
 Tel: (972) 803-4040
 info@carbousa.com

carbousa.com

Warning: This product contains chemicals such as lead in brass component known to the state of California to cause cancer and birth defects or other reproductive harms.



D40-CSL	A	B	C	D	E	F	G
4" Inch	4	0.19	1.55	1.14	0.65	3.83	1/4 NPT

Drawings, sizes, dimensions and all other specifications are subject to change without notice at any time, and information provided may vary from the actual

