



LIQUID FILLED PRESSURE GAUGE 1½" STAINLESS STEEL CASE - Center Back Mount

Utility Gauge For Wide Range of Applications

CARBO Instruments Datasheet L25-SSB 01.2021

Product Features & Applications

- ASME B40.1 Grade A Accuracy Compliance
- Stainless Steel Case
- Large Dial Print
- Reliable and dampen Pulsation & Vibration.
- Applications: Oil, Water, Air, Compressor, Hydraulics, HVAC, Gaseous & Liquid media that are not highly viscous or crystallizing and not corrosive or oxidizing to copper alloy parts



Specifications

Accuracy

ASME B40.1 Grade A Accuracy $\pm 2-1-2$ % of span

Dial Size

1 ½" (38 mm)

Connection

1/8" NPT Center Back, Brass - Copper Alloy Chrome Plated for longer life

Scale

Dual Scale: psi / bar with kPa guidance

Case Design

Stainless Steel, Crimped Style Casing

Material

Movement: Copper Alloy
Bourdon Tube: Copper Alloy
Connection: Copper Alloy
Window: Polycarbonate
Casing: Stainless Steel
Pointer: Aluminum

Permissible Ambient Temperature:
-4°F to 140°F (-20°C to 60°C)

Fill: Liquid Filled (Glycerin)

Manufactured in an **ISO 9001 Certified** factory to meet and exceed your expectation

Options: - Custom Dial Layout - Adapters & Mounting Kit
 - Special Connection Size - Liquid Silicon Filling

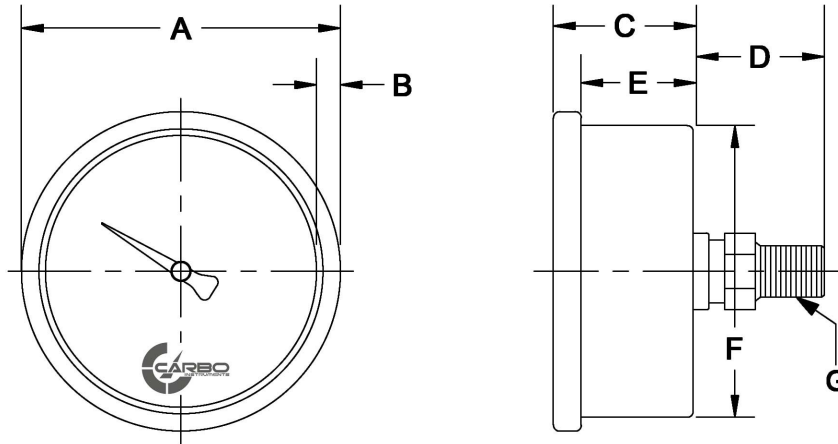
Specifications subject to change without notice at any time, and information provided may vary from the actual Product.

Warning: This product contains chemicals such as lead in brass component known to the state of California to cause cancer and birth defects or other reproductive harms.

CARBO USA LLC
1541 Prudential Dr
Dallas, TX 75235
Tel: (972) 803-4040

carbousa.com

Range / Scale	Part Number
- 30Hg Vacuum	L15-SSCB-V00
- 30Hg / 15 psi	L15-SSCB-V15
- 30Hg / 30 psi	L15-SSCB-V30
- 30Hg / 60 psi	L15-SSCB-V60
- 30Hg / 100 psi	L15-SSCB-V100
- 30Hg / 160 psi	L15-SSCB-V160
- 30Hg / 250 psi	L15-SSCB-V250
15 psi	L15-SSCB-015
30 psi	L15-SSCB-030
60 psi	L15-SSCB-060
100 psi	L15-SSCB-100
160 psi	L15-SSCB-160
200 psi	L15-SSCB-200
300 psi	L15-SSCB-300
400 psi	L15-SSCB-400
600 psi	L15-SSCB-600
1000 psi	L15-SSCB-1.0K
1500 psi	L15-SSCB-1.5K
2000 psi	L15-SSCB-2.0K
3000 psi	L15-SSCB-3.0K
4000 psi	L15-SSCB-4.0K
5000 psi	L15-SSCB-5.0K
6000 psi	L15-SSCB-6.0K
10000 psi	L15-SSCB-10K
15000 psi	L15-SSCB-15K



L15-SSCB	A	B	C	D	E	F	G
1 ½" Inch	1.85"	0.18"	1"	0.8"	0.85"	1.62"	1/8"NPT

Drawings, sizes, dimensions and all other specifications are subject to change without notice at any time, and information provided may vary from the actual

