



LIQUID FILLED PRESSURE GAUGE 2" STAINLESS STEEL CASE - Center Back Mount

Utility Gauge For Wide Range of Applications

CARBO Instruments Datasheet L20-SSB 03.2018

Product Features & Applications

- ASME B40.1 Grade A Accuracy Compliance
- Stainless Steel Case
- Large Dial Print
- Reliable and dampen Pulsation & Vibration.
- Applications: Oil, Water, Air, Compressor, Hydraulics, HVAC, Gaseous & Liquid media that are not highly viscous or crystallizing and not corrosive or oxidizing to copper alloy parts



Specifications

Accuracy

ASME B40.1 Grade A Accuracy $\pm 2-1-2$ % of span

Dial Size

2" (50 mm)

Connection

1/4" NPT Center Back, Brass - Copper Alloy Chrome Plated for longer life

Scale

Dual Scale: psi / bar with kPa guidance

Case Design

Stainless Steel, Crimped Style Casing

Material

Movement: Copper Alloy
Bourdon Tube: Copper Alloy
Connection: Copper Alloy
Window: Polycarbonate
Casing: Stainless Steel
Pointer: Aluminum

Permissible Ambient Temperature:

-4°F to 140°F (-20°C to 60°C)

Fill: Liquid Filled (Glycerin)

Manufactured in an **ISO 9001 Certified** factory to meet and exceed your expectation

Options: - Custom Dial Layout - Adapters & Mounting Kit
 - Special Connection Size - Liquid Silicon Filling

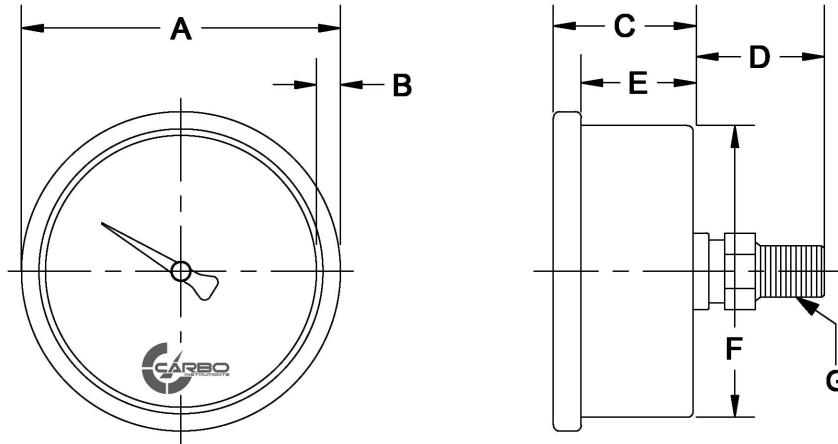
Specifications subject to change without notice at any time, and information provided may vary from the actual Product.

Range / Scale	Part Number
- 30Hg Vacuum	L20-SSB-V00
- 30Hg / 15 psi	L20-SSB-V15
- 30Hg / 30 psi	L20-SSB-V30
- 30Hg / 60 psi	L20-SSB-V60
- 30Hg / 160 psi	L20-SSB-V160
15 psi	L20-SSB-015
30 psi	L20-SSB-030
60 psi	L20-SSB-060
100 psi	L20-SSB-100
160 psi	L20-SSB-160
200 psi	L20-SSB-200
300 psi	L20-SSB-300
400 psi	L20-SSB-400
600 psi	L20-SSB-600
1000 psi	L20-SSB-1.0K
1500 psi	L20-SSB-1.5K
2000 psi	L20-SSB-2.0K
3000 psi	L20-SSB-3.0K
4000 psi	L20-SSB-4.0K
5000 psi	L20-SSB-5.0K
6000 psi	L20-SSB-6.0K
10000 psi	L20-SSB-10K
15000 psi	L20-SSB-15K

CARBO USA LLC
1541 Prudential Dr
Dallas, TX 75235
Tel: (972) 803-4040
info@carbousa.com

carbousa.com

Warning: This product contains chemicals such as lead in brass component known to the state of California to cause cancer and birth defects or other reproductive harms.



L20-SSB	A	B	C	D	E	F	G
2" Inch	2.25	0.20	1.13	1.00	0.93	2.03	1/4 NPT

Drawings, sizes, dimensions and all other specifications are subject to change without notice at any time, and information provided may vary from the actual

